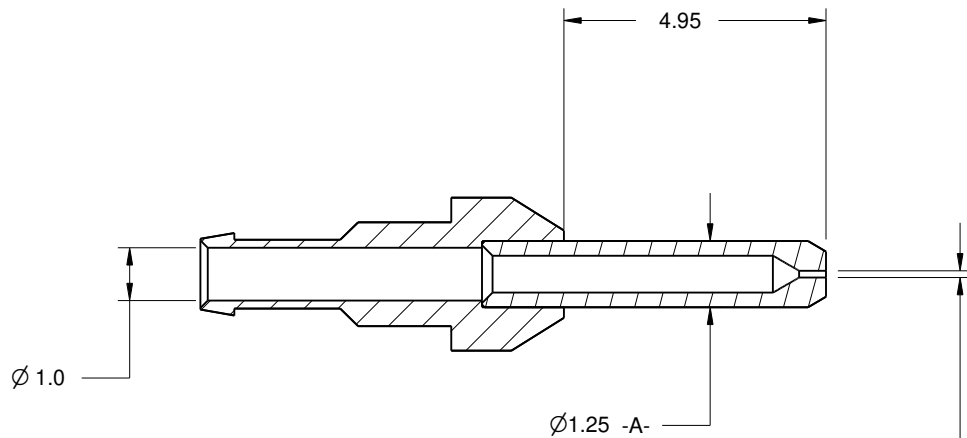


Hole size "D1" (microns)	Hole tolerance (microns)	Concentricity "C1" (microns)
126-249	+5 / -0	< 5
250-649	+10 / -0	< 10



"D1"	"C1"	-A-
------	------	-----

Section A-A

**CUSTOMER DRAWING
FOR REFERENCE ONLY**

Notes:

- 1) Ferrule material is Stainless Steel
Flange is nickel plated brass
- 2) Part number is "3606-XXXX"
where -XXXX is hole size in microns
i.e. hole size of 640um part number is 3606-0640



88 Bee Brook Road
Washington Depot, CT 06794

Phone: 860-868-0081
sales@berkshirephotonics.com
www.berkshirephotonics.com

Confidentiality Notice

This document is proprietary to Berkshire Photonics and any reproduction, disclosure, or use thereof is expressly prohibited without the written permission of Berkshire Photonics

Dimension Millimeters	SCALE NTS	SIZE A
DRAWN M. Windebank	APPROVED J. Miller	DATE 1/19/16
Description 1.25mm LC Stainless Steel Ferrule Assembly		
DWG NO. 3606-XXXX	REV A	SHEET 1 OF 1