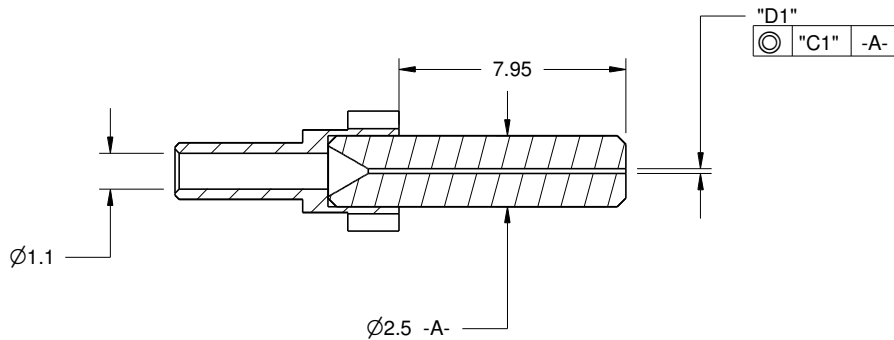


Fiber Hole Diameter "D1" (microns)	"D1" Size Tolerance (microns)	Concentricity "C1" (microns)
127-249	+5/-0	<10
250-399	+10/-0	<15
400-725	+10/-0	<20
726-1000	+15/-0	<25



Section B-B

**CUSTOMER DRAWING  
FOR REFERENCE ONLY**

**Notes:**

- 1) Ferrule Material is Zirconia, Flange is nickel plated brass.
- 2) Part number is "3605-XXXX" where -XXXX is hole size in microns i.e. hole size of 640um part number is 3605-0640



88 Bee Brook Road  
Washington Depot, CT 06794

Phone: 860-868-0081  
sales@berkshirephotonics.com  
www.berkshirephotonics.com

**Confidentiality Notice**

This document is proprietary to Berkshire Photonics and any reproduction, disclosure, or use thereof is expressly prohibited without the written permission of Berkshire Photonics

Dimension Millimeters	SCALE NTS	SIZE <b>A</b>
DRAWN M. Windebank	APPROVED J. Miller	DATE 11/5/15
Description 2.5mm Ceramic Ferrule Assembly		
DWG NO. <b>3605-XXXX</b>	REV A	SHEET 1 OF 1