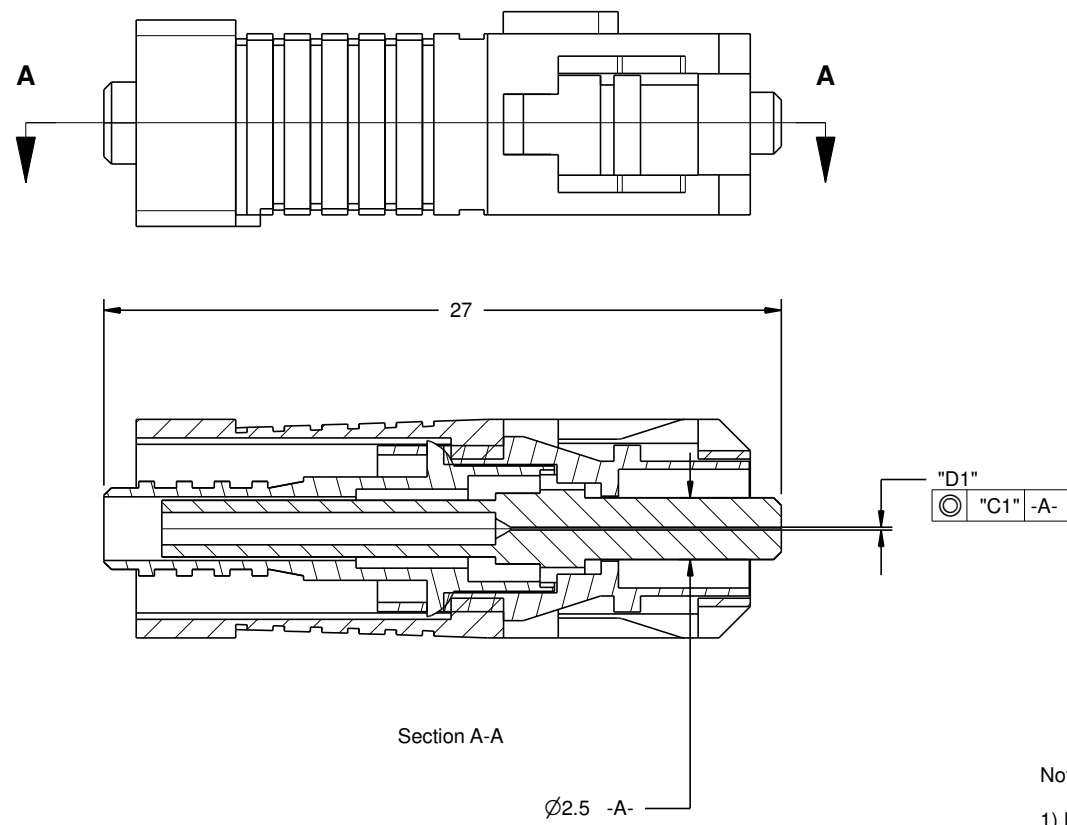


Fiber Hole Diameter "D1" (microns)	"D1" Size Tolerance (microns)	Concentricity "C1" (microns)
127-249	+5/-0	<10
250-399	+10/-0	<15
400-725	+10/-0	<20
726-1000	+15/-0	<25



**CUSTOMER DRAWING
FOR REFERENCE ONLY**

- Notes:
- 1) Ferrule Material is Ceramic, Polymer body, die cast zinc rear body
 - 2) Part number is "3301-XXXX" where -XXXX is hole size in microns i.e. hole size of 640um part number is 3301-0640
 - 3) Connector comes with 3mm crimp, 3mm boot, and dust cap



Berkshire Photonics

88 Bee Brook Road
Washington Depot, CT 06794

Phone: 860-868-0412
Fax: 860-868-0492
www.berkshirephotonics.com

Confidentiality Notice This document is proprietary to Berkshire Photonics and any reproduction, disclosure, or use thereof is expressly prohibited without the written permission of Berkshire Photonics	Dimension Millimeters	SCALE NTS	SIZE A
	DRAWN M. Windebank	APPROVED J. Miller	DATE 11/21/16
Description SC Connector, Ceramic Ferrule			
DWG NO. 3301-XXXX		REV A	SHEET 1 OF 1