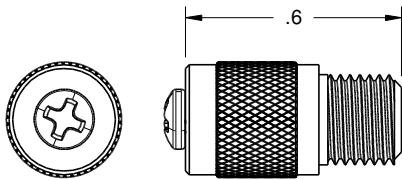
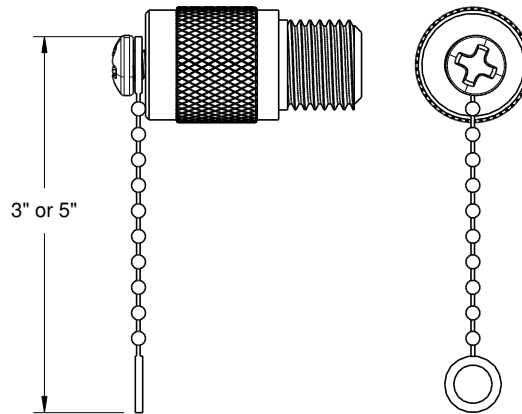


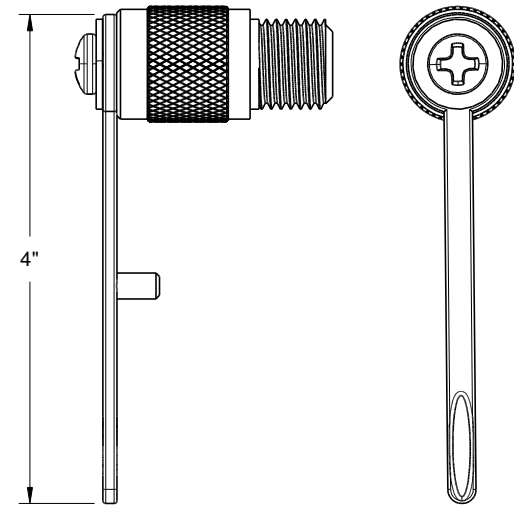
4200-00
No Lanyard



4200-03 or 4200-05
With 3" Lanyard With 5" Lanyard



4200-10
With Santoprene Lanyard



Notes:

- 1) Part number to be 4200-XX
where XX is -00 for no lanyard
-03 for 3" ball chain lanyard
-05 for 5" ball chain lanyard
-10 for santoprene lanyard
- 2) Dustcap material is Stainless Steel



Berkshire Photonics

88 Bee Brook Road
Washington Depot, CT 06794

Phone: 860-868-0081
sales@berkshirephotonics.com
www.berkshirephotonics.com

Confidentiality Notice

This document is proprietary to Berkshire Photonics and any reproduction, disclosure, or use thereof is expressly prohibited without the written permission of Berkshire Photonics

Dimension Inch	SCALE NTS	SIZE A
DRAWN M. Windebank	APPROVED J. Miller	DATE 4/19/17
Description SMA Stainless Steel Dustcap		
DWG NO. 4200-XX	REV A	SHEET 1 OF 1