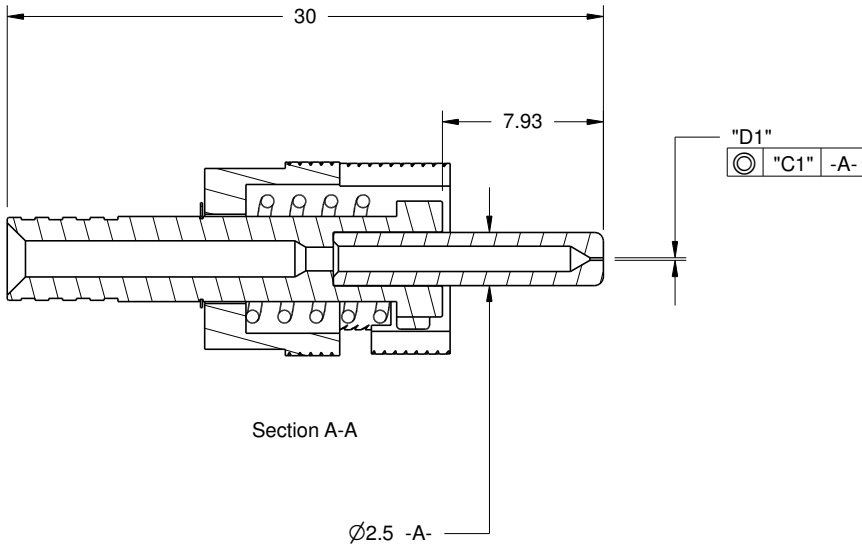
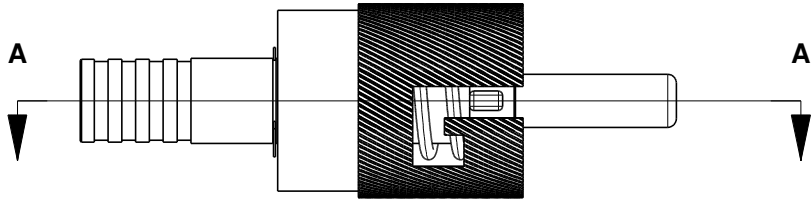


Fiber Hole Diameter "D1" (microns)	"D1" Size Tolerance (microns)	Concentricity "C1" (microns)
430-1100	+15/-0	<15



**CUSTOMER DRAWING
FOR REFERENCE ONLY**

Notes:

- 1) All Materials are Stainless Steel
- 2) Part number is "3102-XXXX" where -XXXX is hole size in microns i.e. hole size of 640um part number is 3102-0640
- 3) Connector comes with 3mm crimp, 3mm boot, and dust cap

Berkshire Photonics
 88 Bee Brook Road
 Washington Depot, CT 06794
 Phone: 860-868-0412
 Fax: 860-868-0492
 www.berkshirephotonics.com

Confidentiality Notice This document is proprietary to Berkshire Photonics and any reproduction, disclosure, or use thereof is expressly prohibited without the written permission of Berkshire Photonics	Dimension Millimeters	SCALE NTS	SIZE A
	DRAWN M. Windebank	APPROVED J. Miller	DATE 5/3/16
Description All Stainless Steel ST Connector			
DWG NO. 3102-XXXX		REV A	SHEET 1 OF 1