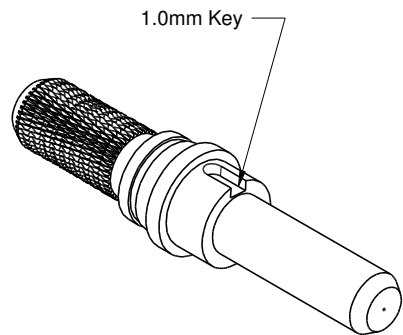
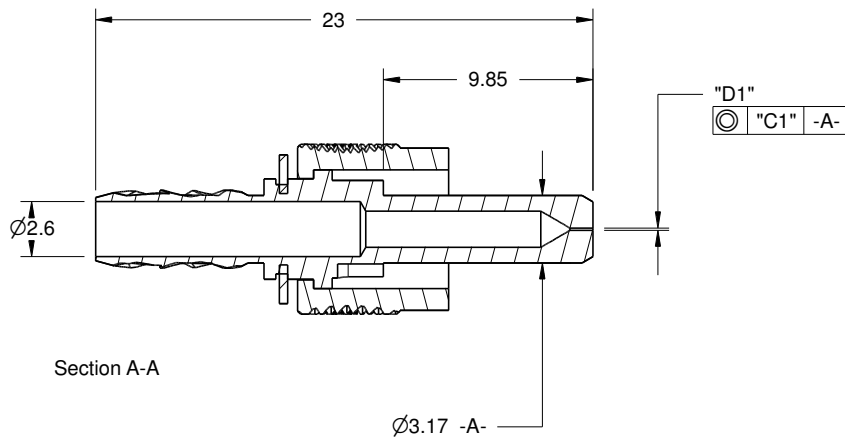
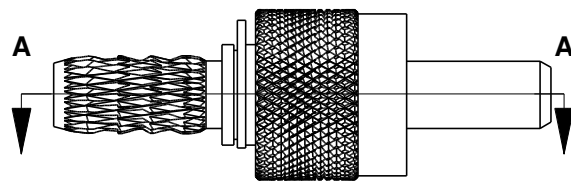


CUSTOMER DRAWING
FOR REFERENCE ONLY

Fiber Hole Diameter "D1" (microns)	"D1" Size Tolerance (microns)	Concentricity (microns)
128-149	+5/-0	< 10
150-249	+10/-0	< 10
250-1499	+15/-0	< 15
1500-2300	+25/-0	< 25



- Notes:
- 1) Ferrule material is SS, coupling nut is nickel plated brass
 - 2) Part number is "3010-XXXX" where -XXXX is hole size in microns i.e. hole size of 640um part number is 3010-0640
 - 3) Connector comes with 3mm crimp, 3mm boot, and dust cap



Berkshire Photonics

88 Bee Brook Road
Washington Depot, CT 06794

Phone: 860-868-0081
sales@berkshirephotonics.com
www.berkshirephotonics.com

Confidentiality Notice <small>This document is proprietary to Berkshire Photonics and any reproduction, disclosure, or use thereof is expressly prohibited without the written permission of Berkshire Photonics</small>	Dimension Millimeters	SCALE NTS	SIZE A
	DRAWN M. Windebank	APPROVED J. Miller	DATE 4/28/16
Description Keyed Stainless Steel SMA Connector			
DWG NO. 3010-XXXX		REV A	SHEET 1 OF 1