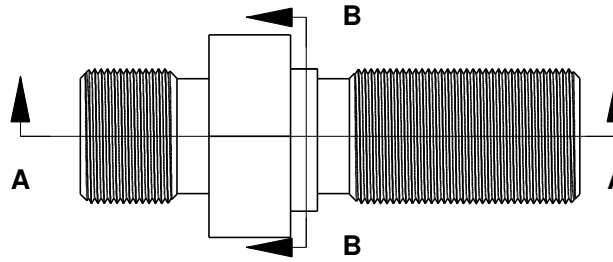
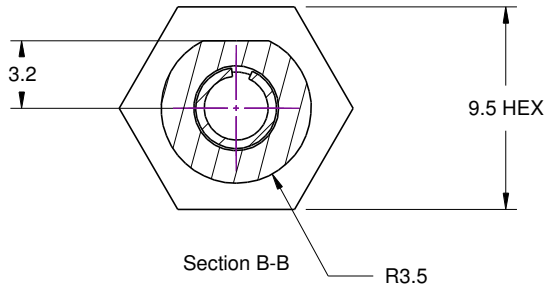
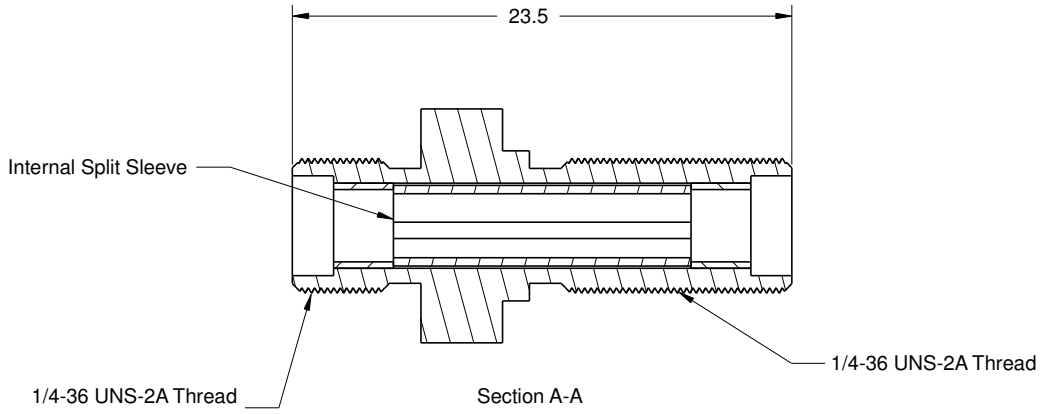


Notes:

- 1) Body material is Nickel Plated Brass
Split Sleeve material is Bronze
- 2) Adapter comes with lock washer, panel nut, and metal endcaps.

CUSTOMER DRAWING
FOR REFERENCE ONLY




Berkshire Photonics

88 Bee Brook Road
Washington Depot, CT 06794

Phone: 860-868-0081
sales@berkshirephotonics.com
www.berkshirephotonics.com

Confidentiality Notice This document is proprietary to Berkshire Photonics and any reproduction, disclosure, or use thereof is expressly prohibited without the written permission of Berkshire Photonics	Dimension Millimeters	SCALE NTS	SIZE A
	DRAWN M. Windebank	APPROVED J. Miller	DATE 5/12/16
Description SMA Bulkhead Adapter with Internal Alignment Sleeve			
DWG NO. 4108	REV A	SHEET 1 OF 1	